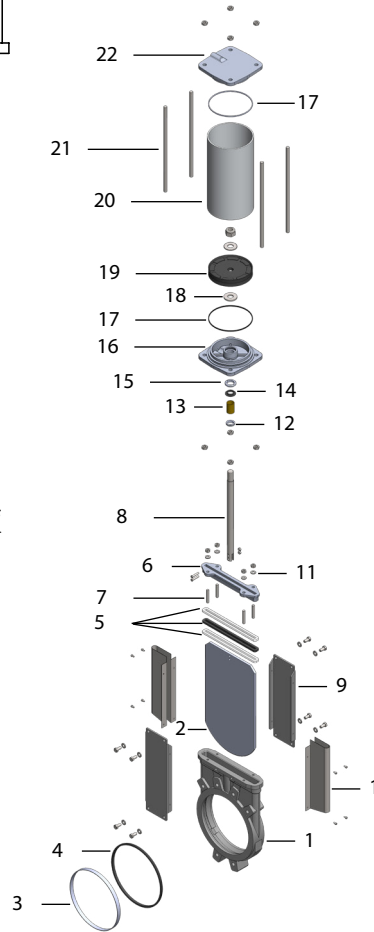
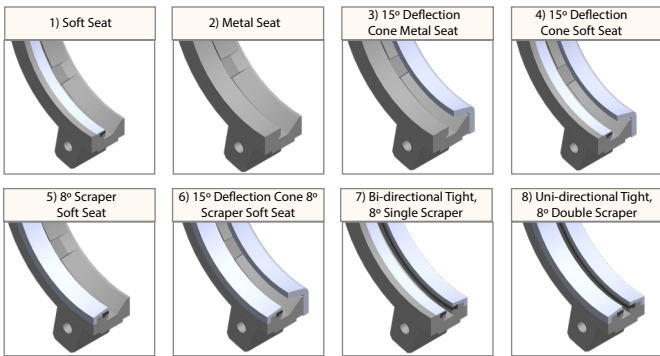
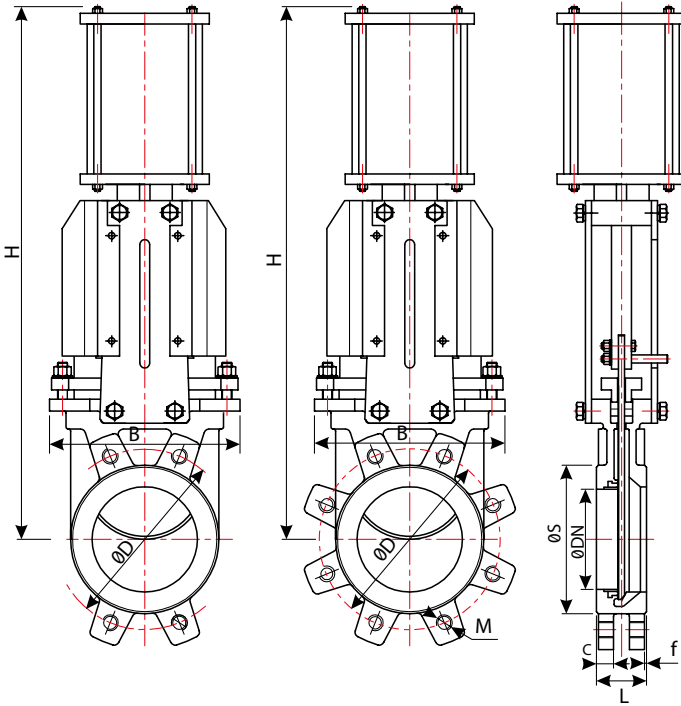




V301 (Wafer) / V302 (Lug) Pneumatic Actuated Knife Gate Valves



No	Part Name	Material
1	Body	GG25
		GGG40
		WCB
		SS304
		SS316
2	Gate	SS304
3	Retaining Ring	304 / 316
4	Seat	EPDM
		Viton
		NBR
		Metal
5	Packing	PTFE+Silicone
6	Packing Gland	GGG40 / SS316
7	Set screw	SS304
8	Stem	SS420 / SS316
9	Yoke	ASTM A36
10	Support Plate	SS 304
11	Gland Nut	ASTM A194 8
12	Scraper	Nitril
13	Bushing	Nylon
14	O-Ring	NBR
15	Circlip	Steel
16	Lower Cover	Aluminum
17	O-Ring	NBR
18	Washer	Steel
19	Piston	S 275
20	Cylinder Body	Aluminum
21	Stud	Steel
22	Upper Cover	Aluminum

Dimensions(mm)

Size (DN)	L	ØD	ØS	C	f	B	H	Max Operating Pressure	Supply Port (B.S.P)	Wafer PN10			Lug PN10		Net Unit Weight (kg)	
										M	☉	○	M	☉	Wafer	Lug
50	40	125	95	16	2	136	430	10 bar	1/4"	M16	4	-	M16	4	7,0	7,0
65	40	145	110	16	2	151	460	10 bar	1/4"	M16	4	-	M16	4	9,0	9,0
80	50	160	127	17	2	170	510	10 bar	1/4"	M16	4	4	M16	8	12,0	13,0
100	50	180	148	17	2	190	570	10 bar	1/4"	M16	4	4	M16	8	14,0	16,0
125	50	210	174	17	2	212	660	10 bar	1/4"	M16	4	4	M16	8	22,0	24,0
150	60	240	199	21	2	230	720	10 bar	1/4"	M20	4	4	M20	8	25,0	28,0
200	60	295	250	21	2	286	890	8 bar	1/4"	M20	4	4	M20	8	38,0	41,0
250	70	350	308	24	2	338	1120	6 bar	3/8"	M20	8	4	M20	12	65,0	69,0
300	70	400	360	24	2	388	1230	6 bar	3/8"	M20	8	4	M20	12	77,0	83,0
350	96	460	416	33	2	460	1370	5 bar	3/8"	M20	12	4	M20	16	125,0	132,0
400	100	515	466	35	2	520	1570	5 bar	3/8"	M24	12	4	M24	16	165,0	173,0
450	106	565	518	36	2	580	1720	3 bar	1/2"	M24	16	4	M24	20	235,0	244,0
500	110	620	572	37	2	620	1850	3 bar	1/2"	M24	16	4	M24	20	306,0	316,0
600	110	725	664	37	2	720	2150	3 bar	1/2"	M27	16	4	M27	20	494	508,0

