

V108 Wafer / V109 Lug Type PTFE Lined Butterfly Valves

Proval V108 Series split body, PTFE lined butterfly valves, owing to their superior design being suitable for use in industrial process lines, allow manual and automated control of highly corrosive aqueous and gaseous chemicals.

*Available in sizes from DN50 to DN600 and offered in both wafer and lug style, two piece body configurations to facilitate site replacement and maintenance.

*Features dynamically - loaded belleville spring and V-ring stem seal technologies to provide enhanced protection in handling wide variety of corrosive and toxic chemicals.

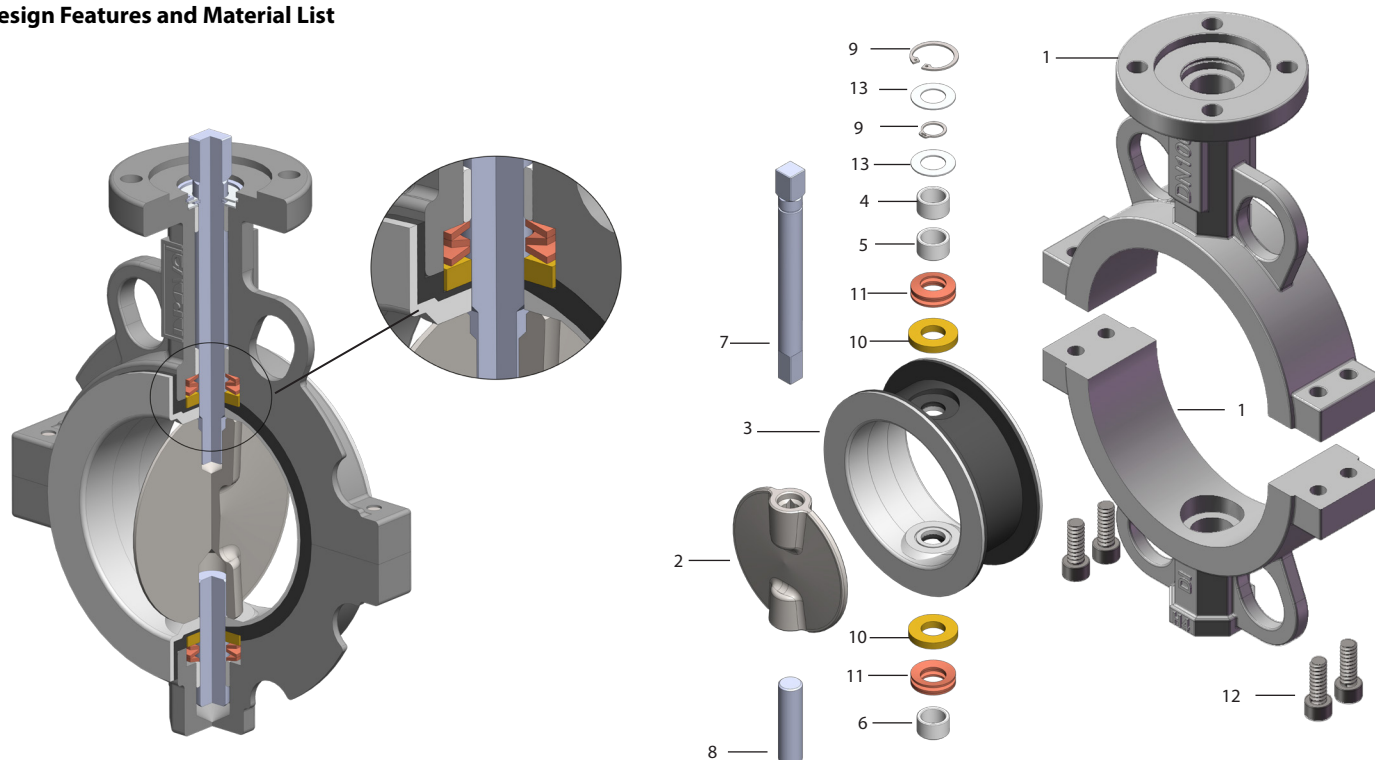
*Provides bi-directional tight shut-off at full rated pressure.

*Min PTFE Lining thickness of 3mm. to prevent exposure of any parts of the disc or the stem to the line media.

* Application Areas:

- Pharmaceutical
- Petrochemical
- Textile
- Food

Design Features and Material List



Material List

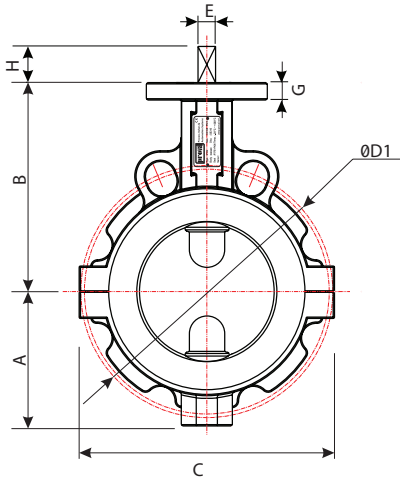
No	Part Name	Material
1	Body	Epoxy Coated GGG40 Ductile Iron
		A216 WCB
2	Disc	AISI316 Stainless Steel
		PTFE Lined Carbon Steel
		PTFE + Viton (-30° C ~ +190° C)
3	Seat	PTFE + Viton (-30° C ~ +190° C)
		PTFE + Silicon (-30° C ~ +190° C)
4/5/6	Bushing	PTFE

No	Part Name	Material
7	Upper Stem	AISI316 Stainless Steel
8	Lower Stem	AISI316 Stainless Steel
9	Circlip	Stainless Steel
10	Thrust Washer	PTFE
11	Belleville Washer	Stainless Steel
12	Cap Screw	Stainless Steel
13	Stem Seal	Stainless Steel

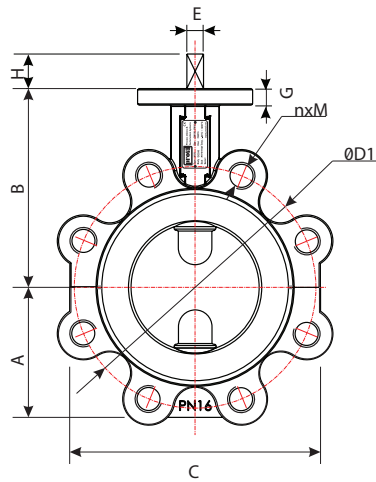


V108 Wafer / V109 Lug Type PTFE Lined Butterfly Valves

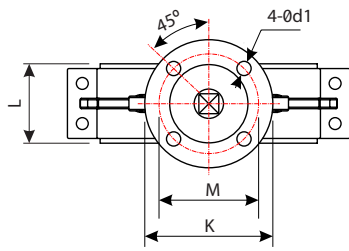
Dimensions (mm)



V108 Wafer Type



V109 Lug Type



Top Flange Acc. ISO5211



Wafer Type Butterfly Valve with AISI316 Disc



Wafer Type Butterfly Valve with PTFE Lined WCB Disc



Lug Type Butterfly Valve with AISI316 Disc

Dimensions (mm)

Size(DN)	PN10		PN16		4-Ød1	A	B	C	G	H	L	E	M	K
	ØD1	nxM	ØD1	nxM										
50	125	4x16	125	4x16	6,7	62	136	112	14	16	43	11	65	50
65	145	4x16	145	4x16	6,7	70	138	126	14	16	46	11	65	50
80	160	8x16	160	8x16	6,7	78	140	142	14	16	46	11	65	50
100	180	8x16	180	8x16	10,3	105	158	168	15	19	52	14	90	70
125	210	8x16	210	8x16	10,3	122	180	240	16	25	56	14	90	70
150	240	8x20	240	8x20	10,3	134	186	265	16	25	56	17	90	70
200	295	8x20	295	12x20	14,5	165	234	320	18	30	60	22	125	102
250	350	12x20	355	12x24	14,5	194	273	385	20	39	68	22	125	102
300	400	12x20	410	12x24	14,7	224	302	450	20	39	78	27	125	102
350	460	16x20	470	16x24	14,7	260	320	500	22	45	78	36	125	102
400	515	16x24	525	16x27	18	298	408	585	24	51	102	36	175	140
450	565	20x24	585	20x27	18	315	422	616	25	51	114	46	175	140
500	620	20x24	650	20x30	22	356	480	685	28	57	127	46	210	165
600	725	20x27	770	20x33	22	440	562	818	30	57	154	46	210	165

V108-V109 Series Butterfly Valves Flow Coefficient Kv (m³/h) and Operating Torque Values (Nm)

Size (DN)	Disc Mtrl.	Disc Angle- Openn ess									Torque (Nm)
		10°	20°	30°	40°	50°	60°	70°	80°	90°	
50	AISI316	0,8	4,3	11	23	43	57	86	114	124	35
	WCB+PTFE	0,1	3,9	10	21	39	52	78	104	112	
65	AISI316	0,8	6,2	19	36	62	86	133	190	199	40
	WCB+PTFE	0,2	5,6	17	33	56	78	121	173	181	
80	AISI316	1,7	9,5	21	38	67	109	171	262	285	55
	WCB+PTFE	0,3	8,6	19	35	60	99	156	238	259	
100	AISI316	2,6	16	34	71	128	219	333	495	570	85
	WCB+PTFE	0,4	14	31	65	117	199	303	449	519	
125	AISI316	3,5	26	57	123	220	366	589	875	952	130
	WCB+PTFE	0,7	24	52	112	200	333	536	796	865	
150	AISI316	4,3	38	90	191	339	570	904	1332	1427	160
	WCB+PTFE	1,6	35	82	173	308	519	822	1211	1297	
200	AISI316	6,9	81	179	381	680	1142	1808	2674	2854	350
	WCB+PTFE	2,6	73	163	346	618	1038	1643	2430	2595	
250	AISI316	8,6	142	296	650	1193	1884	3045	4596	4947	400
	WCB+PTFE	3,5	129	269	591	1085	1713	2768	4179	4498	
300	AISI316	14	218	442	952	1722	2854	4756	7136	7783	580
	WCB+PTFE	4,3	199	402	865	1566	2595	4325	6487	7076	
350	AISI316	15	285	666	1427	2622	4282	6851	9524	11004	1100
	WCB+PTFE	5,2	259	605	1297	2384	3892	6228	8658	10004	
400	AISI316	24	428	916	1999	3391	5899	9039	14129	15403	1330
	WCB+PTFE	6,9	389	833	1817	3083	5363	8218	12845	14002	
450	AISI316	40	523	1161	2207	3673	6243	10666	15699	20521	2300
	WCB+PTFE	13	476	1055	2006	3339	5675	9696	14272	18656	
500	AISI316	55	647	1579	2673	4181	6862	12322	18892	26261	2900
	WCB+PTFE	19	588	1436	2430	3802	6238	11202	17175	23874	
600	AISI316	103	1056	2398	4424	6642	17964	18887	27260	32998	3250
	WCB+PTFE	34	960	2179	4022	6038	16331	17170	24782	29998	



Lever Op. Butterfly Valve with AISI316
Body and Disc, PTFE Seat



Pneumatic Actuator Op. Butterfly
Valve with PTFE Seat



Electric Actuator Op. Butterfly
Valve with PTFE Seat



Gearbox Op. Butterfly Valve
with PTFE Seat