

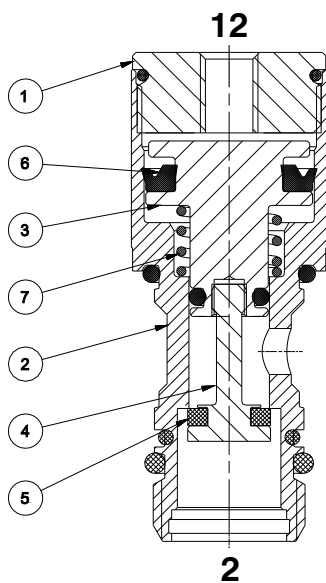
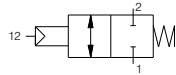
Series 50

General

The blocking valves are used to maintain pressure in the downstream part of the pneumatic circuit even when the pressure supply is shut down.
 Blocking valves are normally assembled directly on cylinders ports in order to maintain the position even in cases of accidental loss of the pilot pressure by preventing a sudden loss of pressure in the cylinder chambers.
 Unidirectional and bidirectional version are both available.
 The unidirectional version allows free air to flow in one direction while requires a pneumatic signal to allow air flow in the opposite direction.
 The bidirectional valve requires a pressure signal to allow air flow in both of the two directions.
The blocking valve cannot be used as safety device.

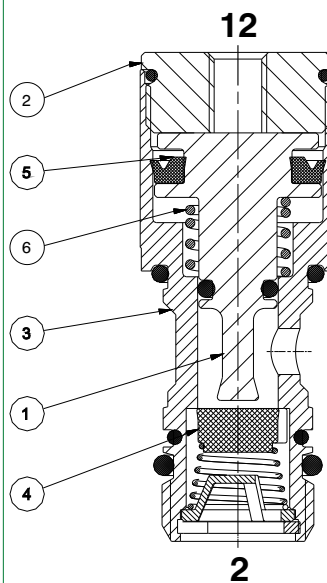
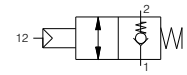
Constructive features

UNIDIRECTIONAL VERSION



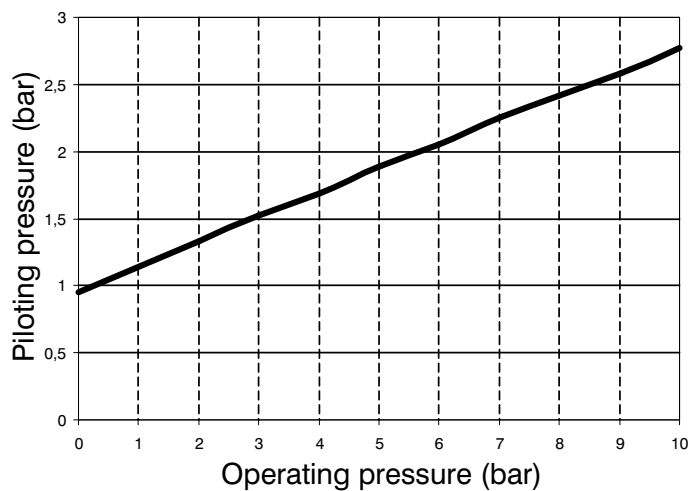
- 1 - Aluminium piston
- 2 - Brass plug
- 3 - Brass body
- 4 - FPM poppet (1/8" and 1/4" version) PUR poppet
- 5 - NBR seal
- 6 - Steel spring

BIDIRECTIONAL VERSION



- 1 - Brass plug
- 2 - Brass body
- 3 - Aluminium piston
- 4 - Steel piston extension
- 5 - PUR poppet
- 6 - NBR seal
- 7 - Steel spring

Working curves



1 AIR DISTRIBUTION

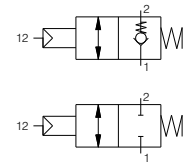
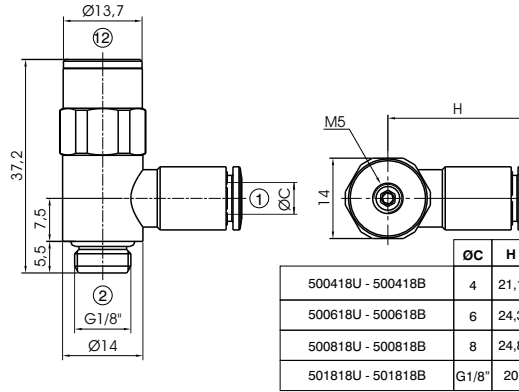


Blocking valves metal type - Size 1/8"

Coding: 50 18 V

Operational characteristics	
Fluid	Filtered air. No lubrication needed, if applied it shall be continuous
Max working pressure (bar)	0,5 ÷ 10
Temperature °C	-5 ÷ +50
Flow rate at 6 bar with $\Delta p=1$ (NI/min)	285
Flow rate with free exhaust (NI/min)	450

METAL TYPE	
A	Banjo only
04	Banjo Ø4
06	Banjo Ø6
08	Banjo Ø8
18	Banjo G1/8"
VERSION	
U	Unidirectional
B	Bidirectional

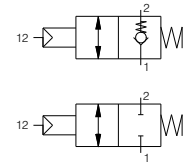
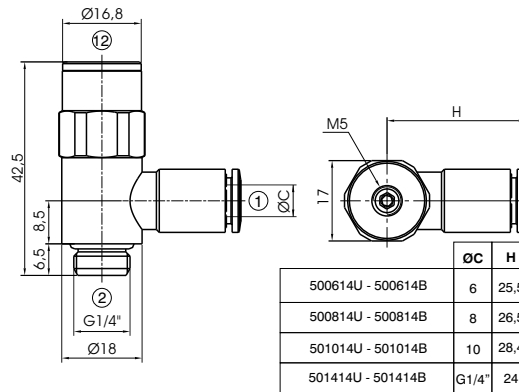


Blocking valves metal type - Size 1/4"

Coding: 50 14 V

Operational characteristics	
Fluid	Filtered air. No lubrication needed, if applied it shall be continuous
Max working pressure (bar)	0,5 ÷ 10
Temperature °C	-5 ÷ +50
Flow rate at 6 bar with $\Delta p=1$ (NI/min)	530
Flow rate with free exhaust (NI/min)	800

METAL TYPE	
A	Banjo only
06	Banjo Ø6
08	Banjo Ø8
10	Banjo Ø10
14	Banjo G1/4"
VERSION	
U	Unidirectional
B	Bidirectional

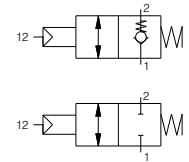
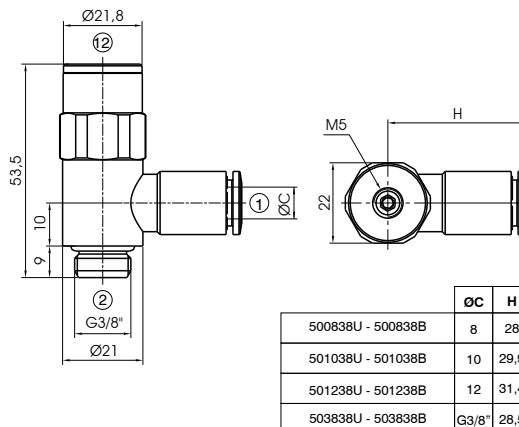


Blocking valves metal type - Size 3/8"

Coding: 50 38 V

Operational characteristics	
Fluid	Filtered air. No lubrication needed, if applied it shall be continuous
Max working pressure (bar)	0,5 ÷ 10
Temperature °C	-5 ÷ +50
Flow rate at 6 bar with $\Delta p=1$ (NI/min)	1000
Flow rate with free exhaust (NI/min)	1600

METAL TYPE	
A	Banjo only
08	Banjo Ø8
10	Banjo Ø10
12	Banjo Ø12
38	Banjo G3/8"
VERSION	
U	Unidirectional
B	Bidirectional

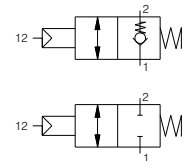
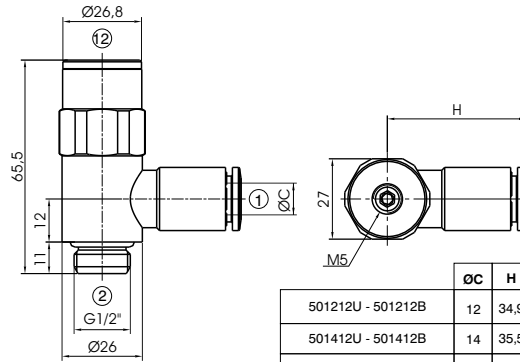


Blocking valves metal type - Size 1/2"

Coding: 50 **T** 12 **V**

Operational characteristics	
Fluid	Filtered air. No lubrication needed, if applied it shall be continuous
Max working pressure (bar)	0,5 ÷ 10
Temperature °C	-5 ÷ +50
Flow rate at 6 bar with $\Delta p=1$ (NI/min)	1300
Flow rate with free exhaus (NI/min)	2600

METAL TYPE	
T	A = Banjo only
	12 = Banjo $\varnothing 12$
	G12 = Banjo G1/2"
VERSION	
V	U = Unidirectional
	B = Bidirectional



1
AIR DISTRIBUTION



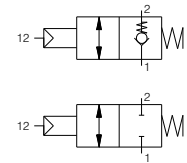
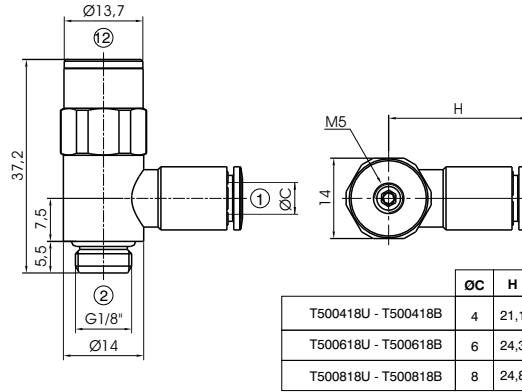
1
AIR DISTRIBUTION

Blocking valves technopolymer type - Size 1/8"

Coding: T50**T**18**V**

Operational characteristics	
Fluid	Filtered air. No lubrication needed, if applied it shall be continuous
Max working pressure (bar)	0,5 ÷ 10
Temperature °C	-5 ÷ +50
Flow rate at 6 bar with Δp=1 (NI/min)	285
Flow rate with free exhaus (NI/min)	450

METAL TYPE	
A	= Banjo only
T 04	= Banjo Ø4
06	= Banjo Ø6
08	= Banjo Ø8
VERSION	
V U	= Unidirectional
B	= Bidirectional

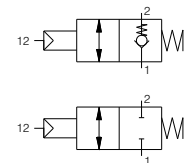
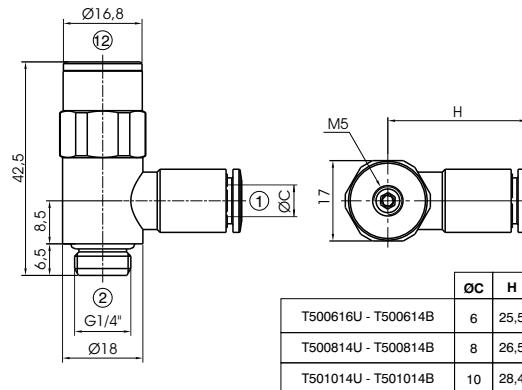


Blocking valves technopolymer type - Size 1/4"

Coding: T50**T**14**V**

Operational characteristics	
Fluid	Filtered air. No lubrication needed, if applied it shall be continuous
Max working pressure (bar)	0,5 ÷ 10
Temperature °C	-5 ÷ +50
Flow rate at 6 bar with Δp=1 (NI/min)	530
Flow rate with free exhaus (NI/min)	800

METAL TYPE	
A	= Banjo only
T 06	= Banjo Ø6
08	= Banjo Ø8
10	= Banjo Ø10
VERSION	
V U	= Unidirectional
B	= Bidirectional

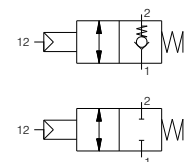
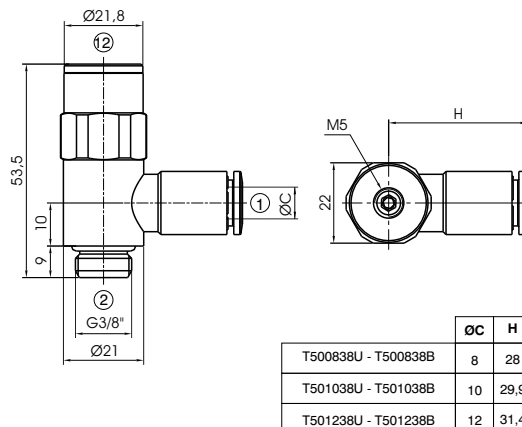


Blocking valves technopolymer type - Size 3/8"

Coding: T50**T**38**V**

Operational characteristics	
Fluid	Filtered air. No lubrication needed, if applied it shall be continuous
Max working pressure (bar)	0,5 ÷ 10
Temperature °C	-5 ÷ +50
Flow rate at 6 bar with Δp=1 (NI/min)	1000
Flow rate with free exhaus (NI/min)	1600

METAL TYPE	
A	= Banjo only
T 08	= Banjo Ø8
10	= Banjo Ø10
12	= Banjo Ø12
VERSION	
V U	= Unidirectional
B	= Bidirectional



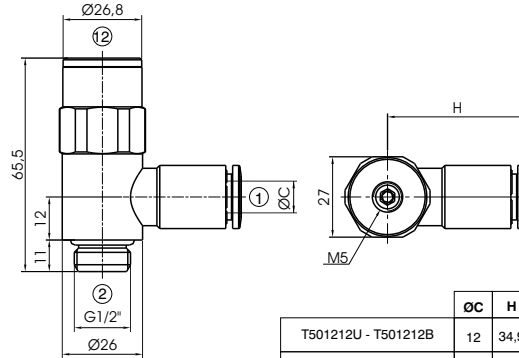


Blocking valves technopolymer type - Size 1/2"

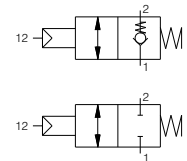
Coding: T50^①12^②

Operational characteristics	
Fluid	Filtered air. No lubrication needed, if applied it shall be continuous
Max working pressure (bar)	0,5 ± 10
Temperature °C	-5 ± +50
Flow rate at 6 bar with Δp=1 (NI/min)	1300
Flow rate with free exhaus (NI/min)	2600

METAL TYPE	
①	A = Banjo only
	10 = Banjo Ø10
	12 = Banjo Ø12
VERSION	
②	U = Unidirectional
	B = Bidirectional



	ØC	H
T501212U - T501212B	12	34.9
T501012U - T501012B	10	30



1
AIR DISTRIBUTION